



INSTALLATION INFORMATION,
CARE & MAINTENANCE INSTRUCTIONS,
WARRANTY

Congratulations on the purchase of your new Carrera by Design product!

With proper care and maintenance your Carrera by Design product will last you a lifetime.

Note: Our Warranty does not cover damage by incorrect installation or improper care.

Installation should be carried out ONLY by a licensed tradesperson.

PRIOR TO FITTING, the product should be thoroughly inspected. If you are not entirely satisfied with the product, contact should be made with the reseller PRIOR TO INSTALLATION. If the product has been installed Carrera by design will not accept responsibility or obligation to repair or supply a replacement product

Claims will NOT be accepted after installation.

INSTALLATION INFORMATION

VANITIES

Carrera by Design recommends that the vanity be fitted after the tiling has been completed.

Please note all vanities have been checked prior to dispatch, all doors and drawers have been aligned and adjusted prior to dispatch.

All wrappings, skids and corner protectors should be removed prior to installation; vanities should be scribed to the floor so that it sits level and is also square to the wall and floor, with the cabinet in place, a mildew resistant silicone should be used to seal the cabinet to the wall and floor. This ensures that no water will penetrate into the cabinet causing damage. Once the top is in the correct place a silicone bead should be applied to the top and the cabinet to prevent water from penetrating. Spray soapy water on the silicone joint to prevent silicone from sticking to the wall.

In situations where the wall is out of square, the installer maybe required to use packers behind the vanity to ensure the unit does not become twisted during installation.

Our vanities are fitted with fully adjustable spring hinges to make it simple to realign the doors and drawers once the cabinet is in place (see diagram below); **it is the responsibility of the installer** to adjust the doors and drawers after installation. Movement in transit as well as uneven floors can result in uneven gaps in the doors. Should a representative from Carrera by Design be required to realign these doors or drawers, a call out fee of \$150.00 is payable to Carrera by Design.

CAUTION: Taps and Waste fittings should not be over tightened as this may place top under undue stress.

On completion of installation all labels and stickers should be removed from the top. Any glue residue can be wiped using a soft cloth moistened with thinners.

Carrera By Design

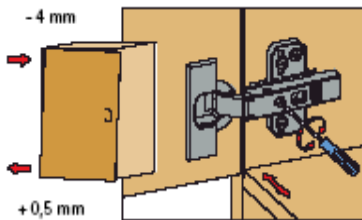
A division of Rlined Pty Limited

ABN 82 098 237 819

DOOR ADJUSTMENT

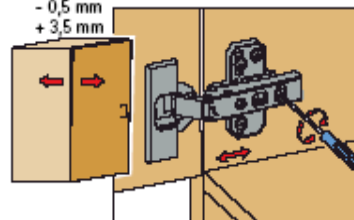
Door adjustment

Overlay adjustment



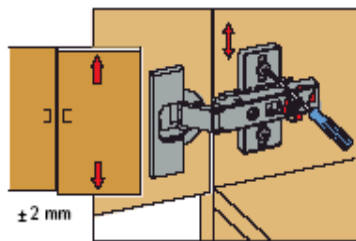
Turn screw clockwise:
Door overlay decreases (-).
Turn screw anticlockwise:
Door overlay increases (+).

Depth adjustment

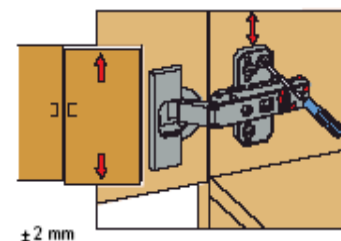


Direct, variable depth adjustment
with the eccentric screw

Height adjustment

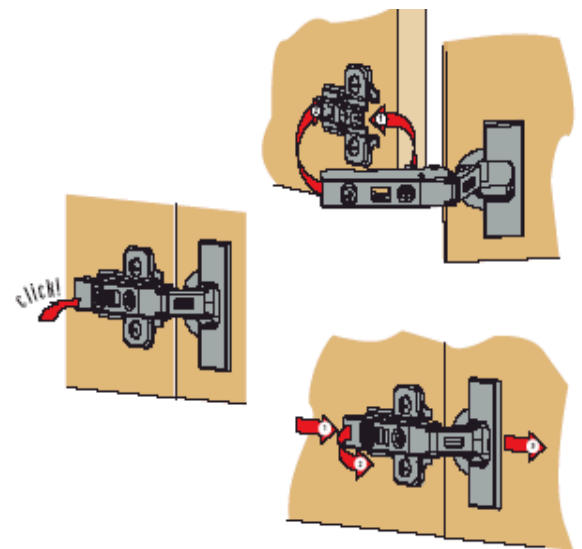


Using height-adjustable mounting plates
makes it possible to align the exact door height.



Direct, variable height adjustment
with eccentric screw

Linear mounting plates with height adjustment
should only be used with Intermat hinges.



Intermat

Snap-on assembly, disassembly

Characteristic for Intermat hinges is the ergonomic **snap-on assembly**. The hinge is slipped into the front of the mounting plate (1), then a light finger pressure and the hinge arm latches onto the mounting plate (2) with an audible click.

The hinge arm is now securely clamped, via five points, with zero play.

Doors are clipped on **zipper style from top to bottom** – the top hinge alone is capable of taking the total weight of the door.

Disassembly is carried out in the opposite direction **from bottom to top**.

The hinge is unlatched by pressing lightly on latch (1) which is hidden under the side arm for security reasons.

In one movement, the hinge arm is lifted off the mounting plate (2) and the door is removed from the cabinet (3).

Carrera By Design

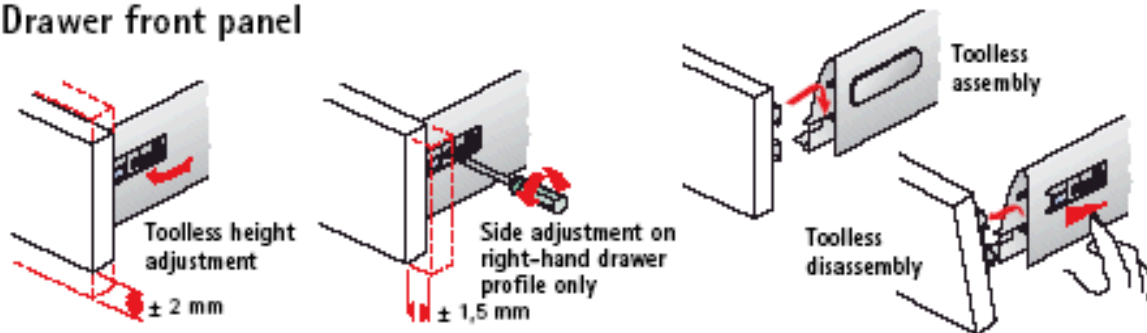
A division of Rlined Pty Limited

ABN 82 098 237 819

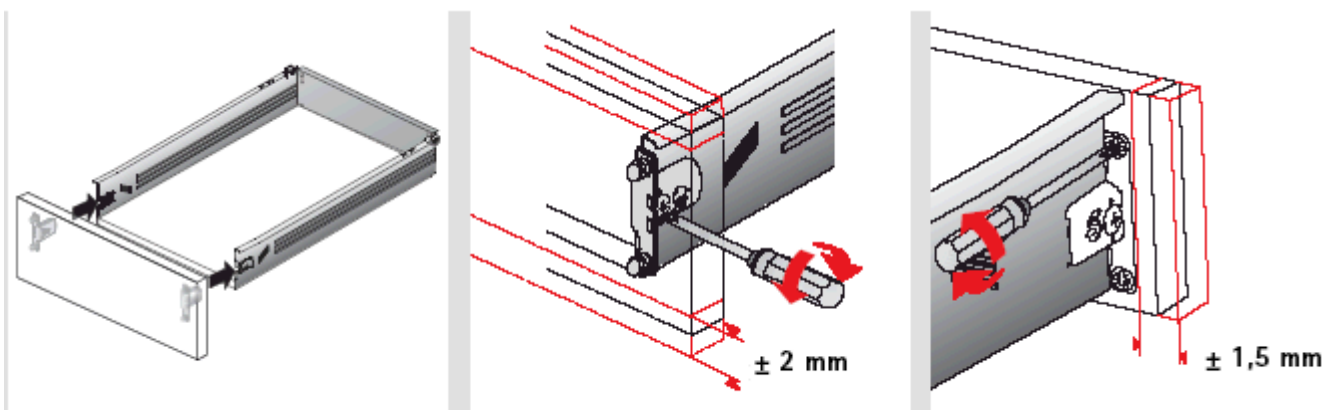
Head Office: Ph 02 9725 5110 | Fx 02 9725 5150

INNOTECH – SOFT CLOSE DRAWER ADJUSTMENT

Drawer front panel



MULTITECH - DRAWER ADJUSTMENT (STANDARD)



Carrera By Design

A division of Rlined Pty Limited

ABN 82 098 237 819

Head Office: Ph 02 9725 5110 | Fx 02 9725 5150

CARE AND MAINTENANCE INSTRUCTIONS

Harsh abrasives or chemicals should not be used on either cabinet or top.

The product can be maintained by regular cleaning with a damp cloth and warm soapy water.

Cabinets **MUST NOT** be constantly exposed to water. Silicone must be used to seal all joints – tops, cabinet sides and kickboards must be sealed to prevent water penetration and ultimately, water damage or swelling of cabinetry. It should be noted that Carrera by Design products are manufactured from Moisture Resistant (MR) materials, but is not waterproof. Care must be taken immediately to dry any spillages, splashes or leakage of water that may gain access to the cabinetry.

NOTE: Water damage is not acceptable as a claim.

Polymarble top scratches and scuff marks can be removed by polishing with a brass/silver cleaner or a light car polish.

CaesarStone® - Stubborn Stains or Dried Spills

If needed, apply a non-abrasive household cleaners (a non-abrasive cleaner will not dull the surface shine) and rinse to remove residue. To remove adhered material such as food, gum, nail polish or even dried paint, first scrape away excess material with a plastic putty knife and then use a damp cloth to remove any marks or residual dirt. For extra-stubborn stains, a no-scratch Scotch-Brite® pad is recommended along with the non-abrasive cleaner recommended by your local CaesarStone® distributor.

For further information refer to www.caesarstone.com.au

Carrera By Design

A division of Rlined Pty Limited

ABN 82 098 237 819

Head Office: Ph 02 9725 5110 | Fx 02 9725 5150

WARRANTY

Carrera by Design offers a lifetime warranty on faulty manufacture, this applies to cabinetry only.

Carrera by Design warrants the original purchaser of our product against manufacturing defects for as long as the original purchaser owns the product. This warranty applies to all hinges, runners, slides and metal drawer systems, and cabinetry sold by Carrera by Design.

This warranty covers the consumer for the replacement of the faulty hardware and cabinetry only. Carrera by Design will send the original purchaser replacement hardware or cabinetry. Carrera by Design does not warrant the removal nor installation costs of the defective product. Carrera by Design does not warrant products, which have been incorrectly installed, water damaged, exposed to loads in excess of specifications, abused or used for purposes other than, that for which they are intended.

Carrera by Design will not be liable for any consequential or incidental damages resulting from or contributed to by the use, installation, performance or failure of our products.

Carrera By Design

A division of Rlined Pty Limited

ABN 82 098 237 819

Head Office: Ph 02 9725 5110 | Fx 02 9725 5150